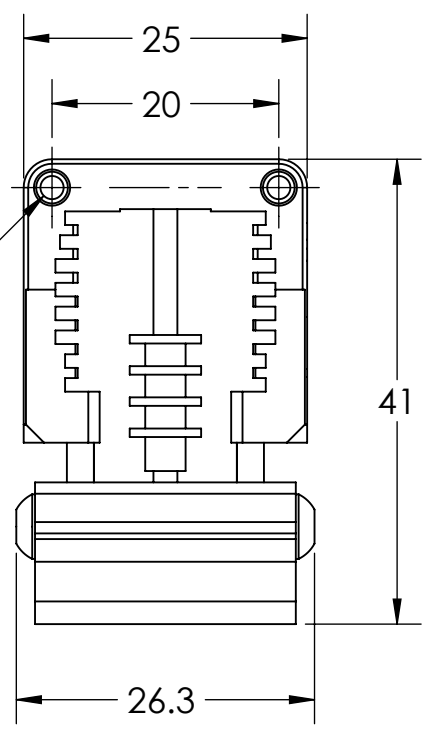
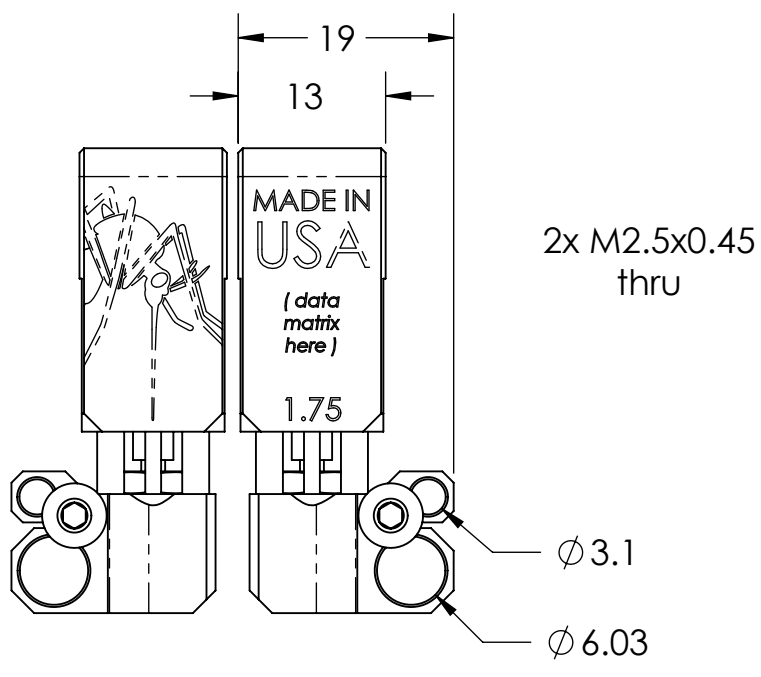
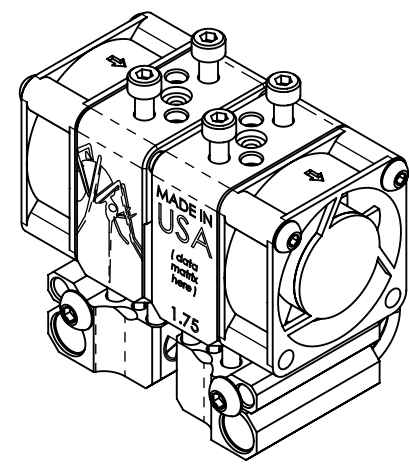
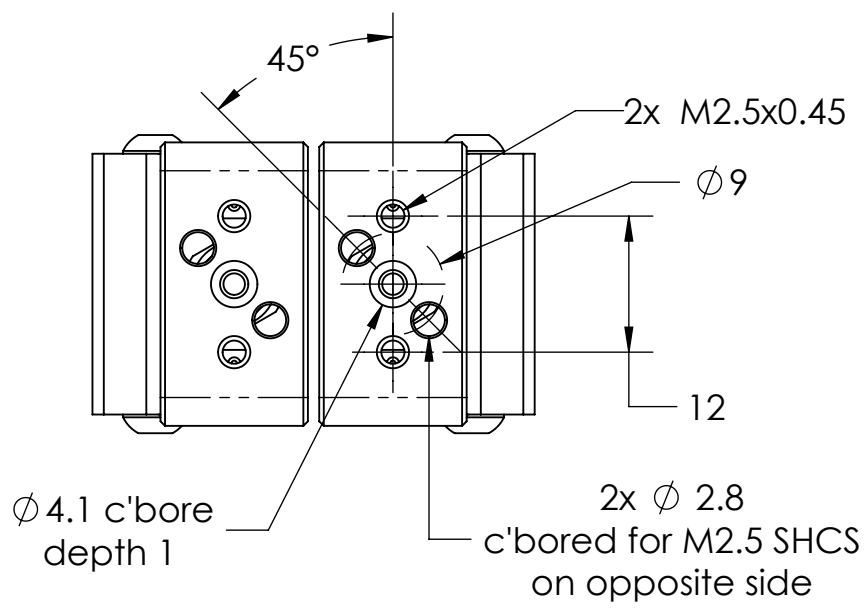


2

1

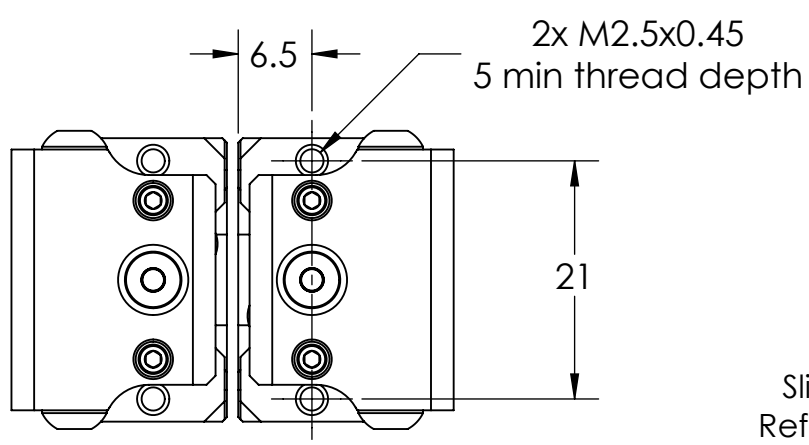
B

B



A

A



Slice Engineering Mosquito Hot End  
 Reference Dimensions for Integrators  
 2018-03-26

2

1